

New range on
Center & chamfer tools



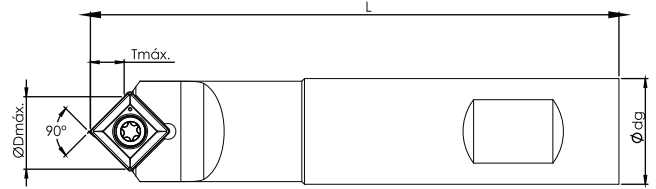
CENTER &
CHAMFER TOOLS

NEW



100
YEARS
SINCE 1916

CENTER & CHAMFER TOOL



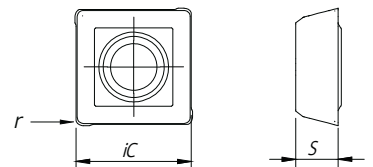
Order code Código	Reference Referência Referencia		Dimensions Dimensões Dimensiones (mm)					Kg	Insert Pastilha Inserto	Stock
			ØMáx.	Tmáx.	Ødg	L	Angle °			
211225000	CHT S16H N11-45	1	13	6,5	16	100	45	0,146	SOMT 11T308	
211225100	CHT S16M N11-45	1	13	6,5	16	150	45	0,180	SOMT 11T308	

Order code Código	Designation Designação Designación	Nº Toolholder	Holder designation	Nº inserts	Insert Pastilha Inserto	Stock
1410286G4	PK SOMT 11T308 CHTS16H	1	CHT S16H N11-45	5	SOMT 11T308	
1410287G4	PK SOMT 11T308 CHTS16M	1	CHT S16M N11-45	5	SOMT 11T308	

Stock item | Produto de stock | Itens de stock

Available under request | Disponível sobre consulta | Disponible bajo consulta

SOMT 11T308... | Inserts | Pastilhas | Plaquetas



	(2) Grade code	Grades																								Dimensions (mm)				
		P					M				K				N			S		H										
		PVD		CVD			PVD		CVD		PVD		UNC	PCD	CVD	PVD		PVD	CBN											
(1) Geometry code	ISO Reference	PH7603	PH7910	PH7920	PH7930	PH7740	PHM740	PH7920	PH7930	PH7740	PH5705	PH5320	PH5740	PH7910	PH7920	PH7930	PH7740	PH0910	PDP410	PHM740	PH7930	PH7740	PH7603	PBH910	IC	S	l	r	F	
1112425	SOMT 11T308																									10,87	3,97	11,00	0,80	-

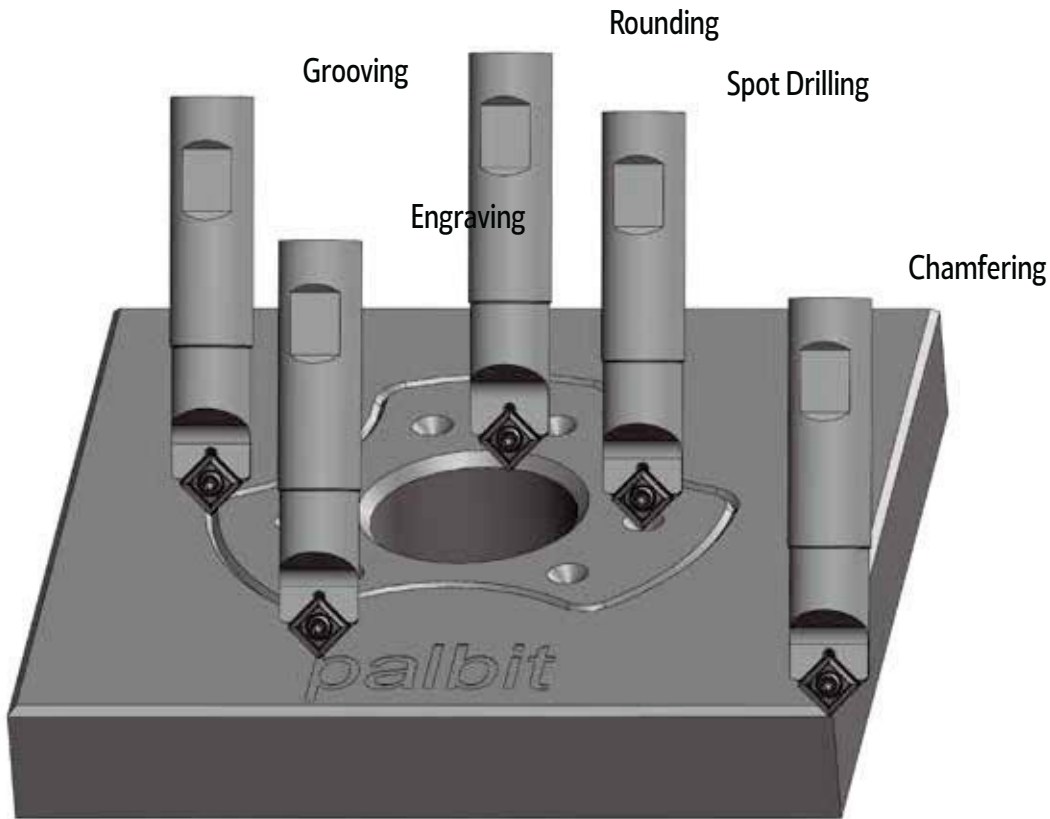
First choice | Primeira opção | 1ª opción

Stock item | Produto de stock | Itens de stock

Available under request | Disponível sobre consulta | Disponible bajo consulta

Insert order code = (1) Geometry Code + (2) Grade Code

TOOL SELECTION || Seleccion de ferramenta | Selección de herramienta



SPARE PARTS || Complementos | Complementos

Cutter ØDc	Insert Screw	Key (Torx)	Torque Value
CHT S16...	P0400803	XT15	3,0

RECOMMENDED CUTTING CONDITIONS

ISO	PSM	Material	HB (Brinell)	Vc (m/min)		Feed Fz (mm/t)	
				PH7920	SOMT 11T308		
P	1	Unalloyed Steel	125-220	120-150	0,04-0,08		
	2	Low-Alloyed Steel	220-280	100-120	0,03-0,07		
	3	High-Alloyed Steel	280-380	60-100	0,03-0,06		
M	4	SS - Ferritic / Martensitic	200-330	100-150	0,04-0,07		
	5	SS - Austenitic / Duplex	200-330	80-120	0,03-0,06		
	6	SS - Duplex	230-260	50-90	0,03-0,06		
K	7	Malleable Cast Iron	130-230	90-150	0,05-0,10		
	8	Grey Cast Iron	180-245	80-120	0,05-0,08		
	9	Nodular Cast iron	160-250	70-110	0,04-0,08		



CENTER & CHAMFER TOOLS

HEADQUARTERS

PALBIT, S.A.

P.O.Box 4 - Palhal

3854-908 - Branca ALB - Portugal

T (+351) 234 540 300 | F (+351) 234 540 301

palbit@palbit.pt

www.palbit.pt

Branch office:

Palbit Brasil

Av. João XXIII. n°20. Sl 41.42 - Vila Gilda

Stº André. SP. CEP 09190-500 SP Brasil

T (+55) 112 5343 648 | F (+55) 112 5343 648

palbit@palbit.com.br | www.palbit.com.br

Branch office:

PALBIT México

Emerson 150. Int.803-804. Colonia Chapultepec

Morales Delagación Miguel Hidalgo

C.P. 11570 México DF

T (+52) 5555 454 543 | F (+52) 5552 509 190

info@palbit.com.mx | www.palbit.com.mx



100
YEARS
SINCE 1916